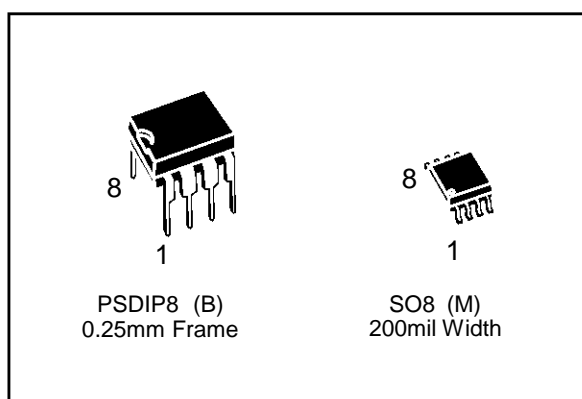


**SERIAL EXTENDED ADDRESSING COMPATIBLE
WITH I²C BUS 256K (32K x 8) EEPROM**

DATA BRIEFING

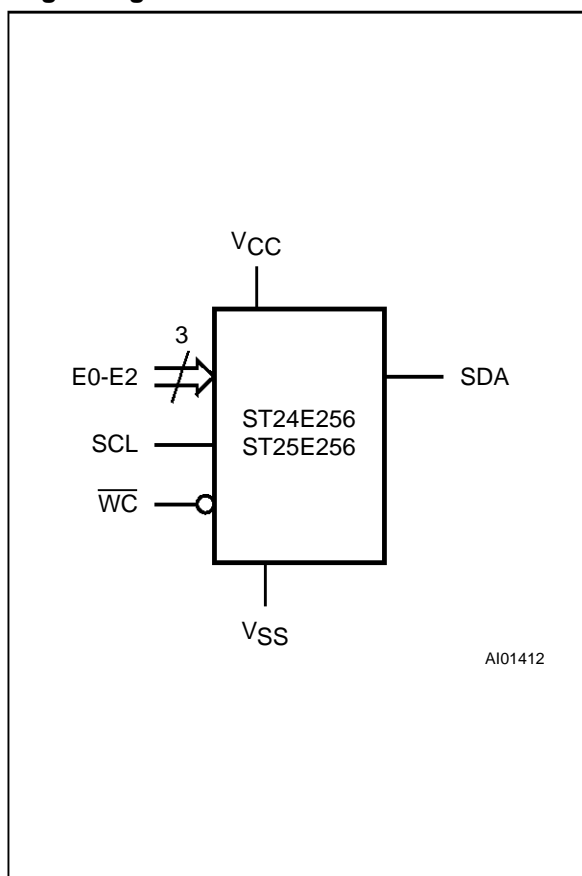
- COMPATIBLE with I²C EXTENDED ADDRESSING
- TWO WIRE SERIAL INTERFACE, SUPPORTS 400kHz PROTOCOL
- 100,000 ERASE/WRITE CYCLES, OVER the FULL SUPPLY VOLTAGE RANGE
- 40 YEARS DATA RETENTION
- SINGLE SUPPLY VOLTAGE
 - 4.5V to 5.5V for ST24E256 version
 - 2.5V to 5.5V for ST25E256 version
- WRITE CONTROL FEATURE
- BYTE and PAGE WRITE (up to 64 BYTES)
- BYTE, RANDOM and SEQUENTIAL READ MODES
- SELF TIMED PROGRAMING CYCLE
- AUTOMATIC ADDRESS INCREMENTING
- ENHANCED ESD/LATCH UP PERFORMANCES



DESCRIPTION

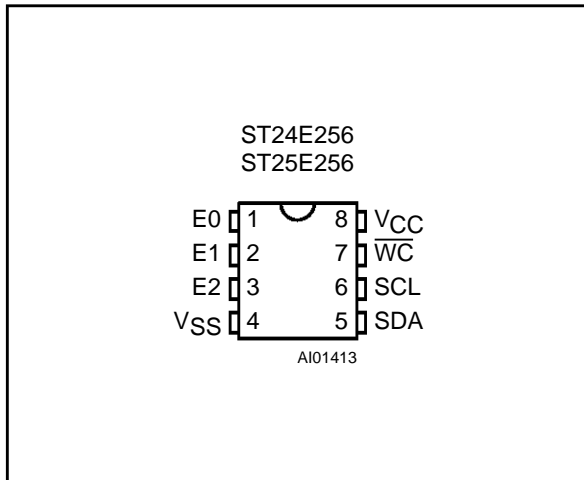
The ST24E256 and ST25E256 are 256K bit electrically erasable programmable memories (EEPROM), organized as 32,768 x 8 bits. The ST25E256 operates with a power supply value as low as 2.5V. Both Plastic Dual-in-Line and Plastic Small Outline packages are available.

Logic Diagram



ST24E256, ST25E256

DIP Pin Connections



Signal Names

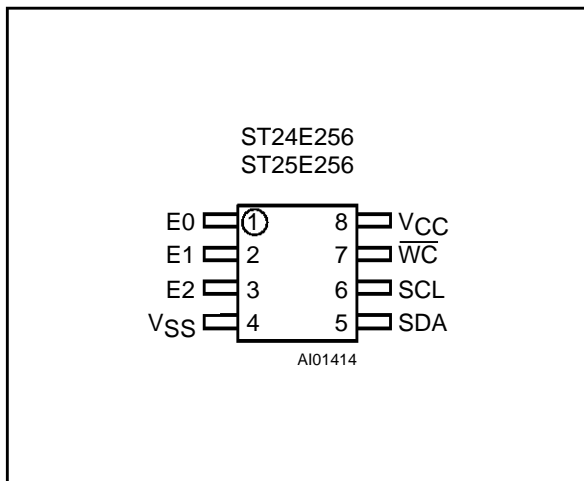
E0 - E2	Chip Enable Inputs
SDA	Serial Data Address Input/Output
SCL	Serial Clock
\overline{WC}	Write Control
V _{CC}	Supply Voltage
V _{SS}	Ground

Ordering Information Scheme

For a list of available options refer to the current Memory Shortform catalogue.

For further information on any aspect of this device, please contact the SGS-THOMSON Sales Office nearest to you.

SO Pin Connections



Example: ST24E256 M 1 TR

Operating Voltage	24 4.5V to 5.5V	25 2.5V to 5.5V
Range	E Extended Addressing	
Package	B PSDIP8 0.25mm Frame	
	M SO8 200mil Width	
Temp. Range	1 0 to 70 °C	6 -40 to 85 °C
	3 -40 to 125 °C	
Option	TR Tape & Reel Packing	